

Double-Ended Beam Load Cell

FEATURES

- Capacities: 10k to 75k lbs
- Environmental protection: IP67 (DIN 40.050)
- Material: Stainless steel
- Certified to NTEP class III L, 10000 divisions
- **Optional**
 - FM approved for use in potentially explosive atmospheres

APPLICATIONS

- Weighbridges
- Silos, tanks and hoppers

DESCRIPTION

The 9423 is a medium capacity double-ended beam type load cell made of stainless steel.

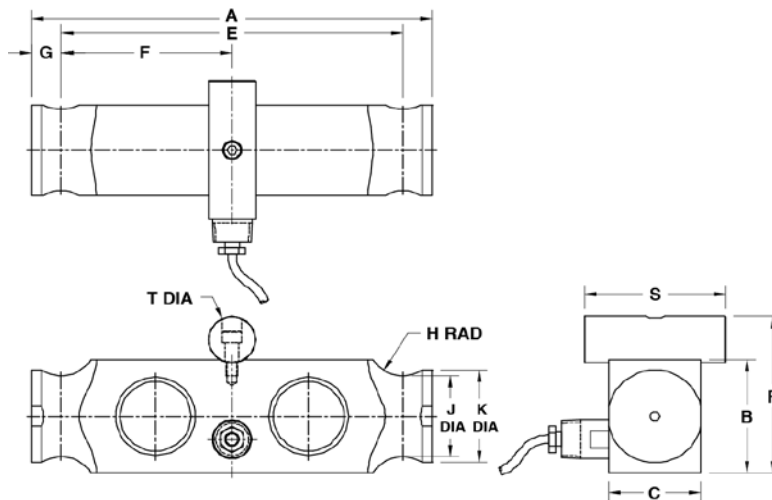
This product is designed for use in certified truck and rail scales and is available in capacities from 10k to 75k lbs.



A reliable sealing and mechanical protection of the strain gage area is ensured by the use of potting compound with a metal cover.

This load cell is rated intrinsically safe by the FM system, making it suitable for use in potentially explosive atmospheres.

OUTLINE DIMENSIONS in inches



Cable specifications

Cable length: 9m (30 ft)

Excitation +	Red
Excitation -	Black
Output +	Green
Output -	White
Shield	Transparent

Cable screen is not connected to the load cell body.

Capacity (lbs)	10k, 15k, 20k, 25k	30k, 40k, 50k, 60k, 75k
A	8.00	8.50
B	1.94	2.45
C	1.44	1.95
E	7.12	7.25
F	3.56	3.62
G	0.44	0.63
H RAD	0.38	0.75
J	0.80	1.75
K	1.00	2.00
R	2.57	3.38
S	1.94	3.00
T	0.75	1.00

Double-Ended Beam Load Cell

SPECIFICATIONS			
PARAMETER	VALUE		UNIT
Capacities	10k*, 15k*, 20k, 25k, 30k, 40k, 50k, 60k, 75k		lbs
Accuracy class according to NTEP	NTEP IIIIL	Non-Approved	
Max. no. of verification intervals	10000d		
Rated output (=S)	3		mV/V
Rated output tolerance	0.003		±mV/V
Zero balance	1.0		±% FSO
Combined error	0.0200	0.0300	±% FSO
Creep error (20-30 minutes)	0.0300	0.0300	±% applied load
Temperature effect on min. dead load output	0.0090 (0.0010)	0.0135 (0.0015)	±% FSO/5°C (1°F)
Temperature effect on sensitivity	0.0072 (0.0008)		±% applied load/5°C (1°F)
Compensated temperature range	-10 to +40 (+14 to 104)		°C (°F)
Operating temperature range	-53 to +93 -65 to +200)		°C (°F)
Safe load limit	150		% E _{max}
Ultimate load	300		% E _{max}
Safe side load limit	100		% E _{max}
Excitation voltage recommended	10		V
Excitation voltage maximum	15		V
Input resistance	700±7		Ω
Output resistance	700±7		Ω
Insulation resistance	≥5000		MΩ
Environmental protection	IP67		
Element material	Stainless steel		ASTM

* Capacities 10k and 15k are not NTEP approved.

FSO—Full Scale Output

Correct mounting of the load cells is essential to ensure optimum accuracy and performance. Further information is available upon request.

All specifications subject to change without notice.